

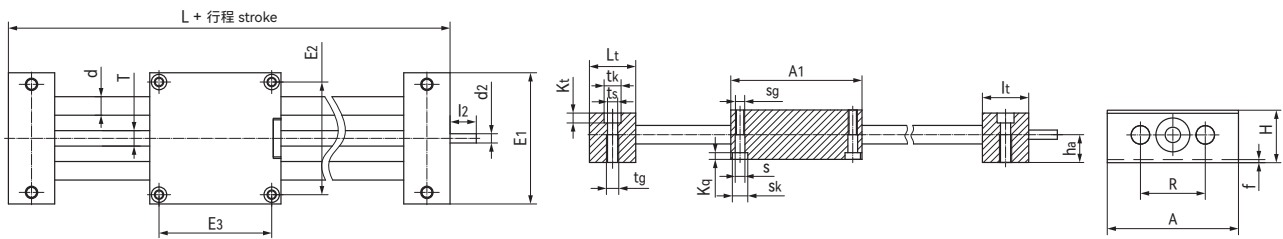
LMS01直线模组 Linear modules



产品特性 Product features

- 标准设计模组
- 可选不同轴材料和丝杆
- 免维护，耐腐蚀
- 可选丝杆TR10x2, TR18x4, TR24x5
- 可在+60 °C环境中长期使用
- 配合丝杆螺母可单独供货P271
- 配合电机参考P277
- 可选附件参考P278
- Standard design
- Various materials for shaft and lead screw
- Maintenance-free and optionally corrosion resistant
- TR10x2, TR18x4, TR24x5
- Temperature resistant up to +60 °C
- Lead screw nuts are available separately Page 271
- Available with motor Page 277
- Available accessories Page 278

标准规格 Standard specifications



单位Unit: mm

| 产品编码 Part No. | 产品编码 Part No. | A -0.3 | A ₁ | H | E ₁ ±0.15 | E ₂ ±0.15 | E ₃ ±0.15 | L | R | f | L _t ±0.15 | t _k | t _s |
|------------------|--------------------|--------|----------------|----|----------------------|----------------------|----------------------|-----|----|---|----------------------|----------------|----------------|
| LMS01-12-AS-0000 | LMS01BB-12-AS-0000 | 85 | 85 | 34 | 70 | 73 | 73 | 145 | 42 | 2 | 30 | 11 | 6.6 |
| LMS01-20-AS-0000 | LMS01BB-20-AS-0000 | 130 | 130 | 48 | 108 | 115 | 115 | 202 | 72 | 2 | 36 | 15 | 9 |
| LMS01-30-AS-0000 | LMS01BB-30-AS-0000 | 180 | 180 | 68 | 150 | 158 | 158 | 280 | 96 | 4 | 50 | 20 | 13.5 |

| 产品编码 Part No. | 产品编码 Part No. | t _g | k _t ±0.1 | s | s _k | s _g | k _q | d | T | L ₂ | d ₂ h ₉ | h _a |
|------------------|--------------------|----------------|---------------------|-----|----------------|----------------|----------------|----|--------------------------|----------------|-------------------------------|----------------|
| LMS01-12-AS-0000 | LMS01BB-12-AS-0000 | M8 | 6.4 | 6.3 | 10 | M6 | 6 | 12 | TR10×2、HTR10×12、HTR10×25 | 17 | 8 | 18 |
| LMS01-20-AS-0000 | LMS01BB-20-AS-0000 | M10 | 8.6 | 6.4 | 11 | M8 | 7 | 20 | TR18×4、HTR18×40 | 26 | 12 | 23 |
| LMS01-30-AS-0000 | LMS01BB-30-AS-0000 | M16 | 12.6 | 11 | 18 | M12 | 10.6 | 30 | TR24×5 | 38 | 14 | 36 |

| 产品编码 Part No. | 产品编码 Part No. | 最大行程 Max.stroke length [mm] | 铝合金轴 Aluminium shaft [kg] | | 钢轴 Steel shaft [kg] | | 最大静态载荷 Max. stat. load capacity [N] | |
|------------------|--------------------|-----------------------------------|---------------------------|------------------------------------|---------------------|------------------------------------|---|--------------|
| | | | 重量 Weight | 增加重量 Additional (每Per 100mm) | 重量 Weight | 增加重量 Additional (每Per 100mm) | 轴向 Axial | 径向 Radial |
| LMS01-12-AS-0000 | LMS01BB-12-AS-0000 | 750 | 1.1 | 0.1 | 1.3 | 0.2 | 700 | 2800 |
| LMS01-20-AS-0000 | LMS01BB-20-AS-0000 | 1000 | 3.2 | 0.3 | 3.9 | 0.6 | 1600 | 6400 |
| LMS01-30-AS-0000 | LMS01BB-30-AS-0000 | 1250 | 8.6 | 0.6 | 10.9 | 1.4 | 2500 | 10000 |

*BB: 滚珠轴承设计 Ball bearing design

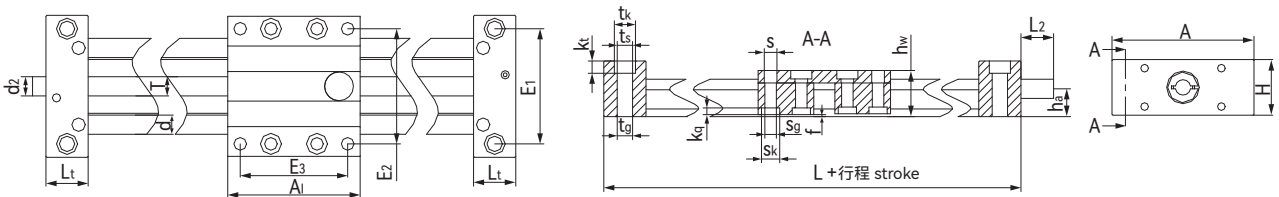
LMS02直线模组 Linear modules



产品特性 Product features

- 经凑型设计
- 稳定传动
- 表面硬化处理铝制WR导轨
- 配合丝杆螺母可单独供货P271
- 配合电机参考P277
- 可选附件参考P278
- Flat and compact
- High torsional stability
- Aluminium WR guide rails, hard anodized
- Lead screw nuts are available separately Page 271
- Available with motor Page 277
- Available accessories Page 278

标准规格 Standard specifications



单位Unit: mm

| 产品编码 Part No. | A -0.3 | A ₁ -0.3 | H | E ₁ ±0.15 | E ₂ ±0.15 | E ₃ ±0.15 | L | h _w | f | L _t ±0.1 | t _k | t _s | t _g |
|-----------------|--------|---------------------|----|----------------------|----------------------|----------------------|-----|----------------|-----|---------------------|----------------|----------------|----------------|
| LMS02-1040-0000 | 74 | 69 | 29 | 60 | 60 | 56 | 113 | 24 | 1.5 | 22 | 11 | 6.8 | M8 |
| LMS02-1080-0000 | 108 | 100 | 29 | 94 | 94 | 87 | 144 | 24 | 1.5 | 22 | 11 | 6.8 | M8 |
| LMS02-1660-0000 | 104 | 100 | 37 | 84 | 86 | 82 | 150 | 35 | 1.5 | 25 | 15 | 9 | M10 |
| LMS02-2080-0000 | 134 | 150 | 46 | 116 | 116 | 132 | 206 | 44 | 1.5 | 28 | 15 | 8.6 | M10 |

| 产品编码 Part No. | k _t ±0.1 | s | s _k | s _g | k _q | d | T | L ₂ | d ₂ h ₉ | h _a |
|-----------------|---------------------|-----|----------------|----------------|----------------|----|--------------------------|----------------|-------------------------------|----------------|
| LMS02-1040-0000 | 6.4 | 6.6 | 9.5 | M6 | 4.4 | 10 | TR10x2、HTR10x12、HTR10x25 | 17 | 10 | 14.5 |
| LMS02-1080-0000 | 6.4 | 6.6 | 9.5 | M6 | 4.4 | 10 | TR10x2、HTR10x12、HTR10x25 | 17 | 10 | 14.5 |
| LMS02-1660-0000 | 8.6 | 9.0 | 11.0 | M8 | 5.5 | 16 | TR14x4、HTR14x30 | 20 | 12 | 18.5 |
| LMS02-2080-0000 | 8.6 | 9.0 | 14.0 | M8 | 5.5 | 20 | HTR18x40 | 26 | 12 | 23.0 |

| 产品编码 Part No. | 最大行程 Max.stroke length [mm] | WR重量 Weight [kg] | 增加重量 Additional (每Per 100mm) | 最大静态载荷 Max. stat. load capacity [N] | | 轴端支撑座材料 End block material |
|-----------------|-----------------------------|------------------|------------------------------|-------------------------------------|-----------|----------------------------|
| | | | | 轴向 Axial | 径向 Radial | |
| LMS02-1040-0000 | 750 | 0.7 | 0.10 | 700 | 2800 | 铝 |
| LMS02-1080-0000 | 750 | 0.9 | 0.20 | 700 | 2800 | 铝 |
| LMS02-1660-0000 | 750 | 1.5 | 0.30 | 1200 | 4600 | 铝 |
| LMS02-2080-0000 | 1000 | 3.0 | 0.40 | 1600 | 6400 | 铝 |

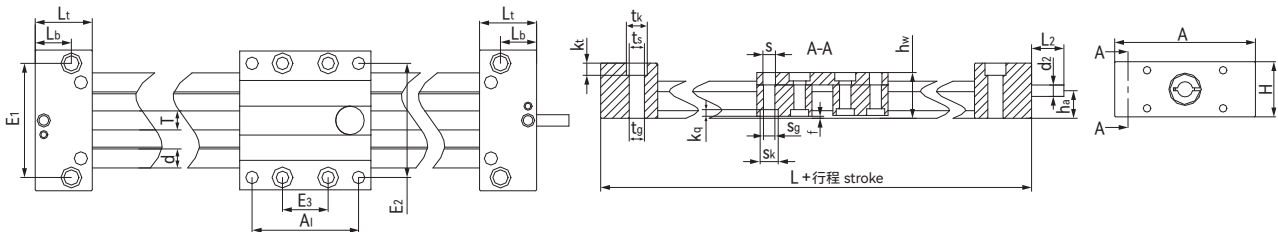
LMS02BB直线模组 Linear modules



产品特性 Product features

- 较低的驱动力
 - 表面硬化处理铝制WR导轨
 - 降低了系统振动，噪音低
 - 丝杆两端采用滚珠轴承支撑
 - 配合丝杆螺母可单独供货P271
 - 配合电机参考P277
 - 可选附件参考P278
- Lower drive force
 - Aluminum WR guide rails, hard anodized
 - Quiet operation - reduced vibration of the overall system
 - Ball bearings in both lead screw end supports
 - Lead screw nuts are available separately Page 271
 - Available with motor Page 277
 - Available accessories Page 278

标准规格 Standard specifications



单位Unit: mm

| 产品编码 Part No. | A-0.3 | A ₁ -0.3 | H | E ₁ ±0.15 | E ₂ ±0.15 | E ₃ ±0.15 | L | h _w | f | L _t ±0.1 | L _b | t _k | t _s | t _g |
|--------------------|-------|---------------------|----|----------------------|----------------------|----------------------|-----|----------------|-----|---------------------|----------------|----------------|----------------|----------------|
| LMS02BB-1040--0000 | 74 | 69 | 29 | 60 | 60 | 56 | 129 | 24 | 1.5 | 30 | 19 | 11 | 6.8 | M8 |
| LMS02BB-1080--0000 | 108 | 100 | 29 | 94 | 94 | 87 | 144 | 24 | 1.5 | 30 | 19 | 11 | 6.8 | M8 |
| LMS02BB-1660--0000 | 104 | 100 | 37 | 84 | 86 | 82 | 170 | 35 | 1.5 | 35 | 22.5 | 15 | 9.0 | M10 |
| LMS02BB-2080--0000 | 134 | 150 | 46 | 116 | 116 | 132 | 230 | 44 | 1.5 | 40 | 26 | 15 | 9.0 | M10 |

| 产品编码 Part No. | k _t ±0.1 | s | s _k | s _g | k _q | d | T | L ₂ | d ₂ h9 | h _a |
|--------------------|---------------------|-----|----------------|----------------|----------------|----|--------------------------|----------------|-------------------|----------------|
| LMS02BB-1040--0000 | 6.4 | 6.6 | 9.5 | M6 | 4.4 | 10 | TR10x2、HTR10x12、HTR10x25 | 17 | 10 | 14.5 |
| LMS02BB-1080--0000 | 6.4 | 6.6 | 9.5 | M6 | 4.4 | 10 | TR10x2、HTR10x12、HTR10x25 | 17 | 10 | 14.5 |
| LMS02BB-1660--0000 | 8.6 | 9.0 | 11.0 | M8 | 5.5 | 16 | TR14x4、HTR14x30 | 20 | 12 | 18.5 |
| LMS02BB-2080--0000 | 8.6 | 9.0 | 14.0 | M8 | 5.5 | 20 | HTR18x40 | 26 | 12 | 23.0 |

| 产品编码 Part No. | 最大行程 Max. stroke length [mm] | 重量 Weight [kg] | 增加重量 Additional (每Per 100mm) | 最大静态载荷 Max. stat. load capacity [N] | | 极限转速 [1/min] | 最大进给率 [m/min] |
|--------------------|------------------------------|----------------|------------------------------|-------------------------------------|-----------|--------------|---------------|
| | | | | 轴向 Axial | 径向 Radial | | |
| LMS02BB-1040--0000 | 500 | 0.90 | 0.10 | 500 | 2000 | 1500 | 3.0 |
| LMS02BB-1080--0000 | 500 | 1.10 | 0.20 | 500 | 2000 | 1500 | 3.0 |
| LMS02BB-1660--0000 | 750 | 1.80 | 0.30 | 700 | 2800 | 1500 | 6.0 |
| LMS02BB-2080--0000 | 900 | 3.30 | 0.40 | 1250 | 5000 | 1500 | 6.0 |

*BB: 滚珠轴承设计 Ball bearing design

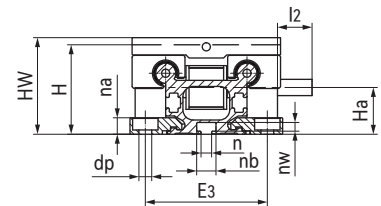
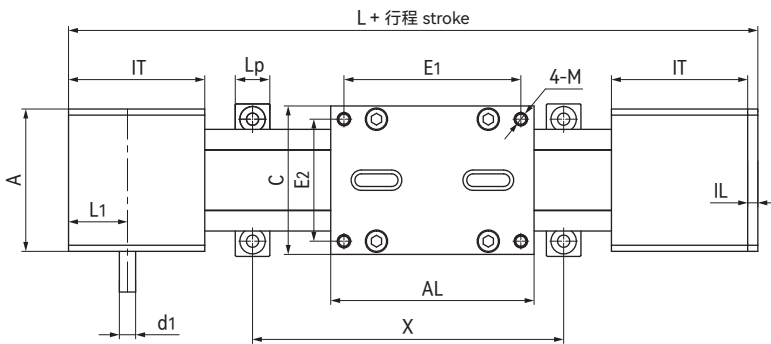
LMS03直线模组 Linear modules



产品特性 Product features

- 轻载快速定位
 - 紧凑型无噪音设计
 - 驱动轴单边或双边设计
 - 多种滑块长度可选
 - 配合电机参考P277
 - 可选附件参考P278
- Fast positioning of small loads
 - Quiet operation and flat design
 - Drive shaft on one or both sides
 - Linear carriages available in different lengths
 - Available with motor Page 277
 - Available accessories Page 278

标准规格 Standard specifications



单位Unit: mm

| 产品编码 Part No. | A 0/-0.3 | IT | IL | AL | E ₁ | E ₂ | C | d1 0/-0.05 | L | L ₁ | Ha | H | HW | M | n | na | nb | nw | E ₃ | X | Lp | dp | l ₂ |
|------------------|----------|----|----|-----|----------------|----------------|----|------------|-----|----------------|----|----|------|----|-----|----|-----|-----|----------------|---------------------|----|----|----------------|
| LMS03-0630-0000 | 54 | 47 | 3 | 80 | 71 | 45 | 54 | 6 | 177 | 20 | 14 | 28 | 31 | M4 | 5.2 | / | 9.5 | 4.3 | / | / | / | / | 20 |
| LMS03-1040-0000 | 70 | 67 | 5 | 100 | 87 | 60 | 73 | 8 | 239 | 29 | 23 | 44 | 47.5 | M6 | 5.2 | 8 | 9.5 | 4.3 | 60 | 自由选择 Free choice | 17 | M6 | 20 |

| 产品编码 Part No. | 重量 Weight [kg] | | 最大行程 Max. stroke length [mm] | 导程 Transmission [mm/rev] | 齿形 Tooth profile | 宽度 Toothed belt width [mm] | 张力 Toothed belt tension [N] | 最大径向力 Max. radial load [N] | 导向轴承 Guide bearing | 最大速度 Max. speed [m/s] | *最大定位精度 Max. position variation [mm] |
|------------------|--------------------------|-----------------------|------------------------------------|--------------------------------|------------------------|-------------------------------------|--------------------------------------|----------------------------------|--------------------------|-----------------------------|--|
| | 无行程 Without stroke | 100mm 行程 Stroke | | | | | | | | | |
| LMS03-0630-0000 | 0.43 | 0.08 | 1000 | 54 | HTD 3M | 9 | 100 | 150 | 滚珠轴承 Ball bearing | 2 | ±0.30/+0.40 |
| LMS03-1040-0000 | 1 | 0.14 | 2000 | 66 | RPP 3M | 16 | 200 | 300 | 滚珠轴承 Ball bearing | 5 | ±0.20/+0.50 |

*根据同步带材料 Upon toothed belt material

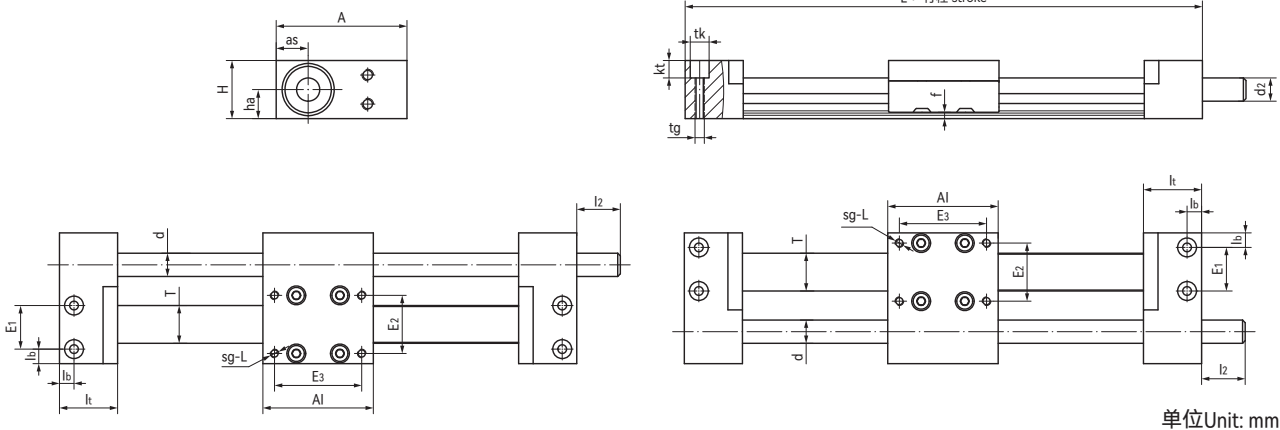
LMS04直线模组 Linear modules



产品特性 Product features

- 薄型设计，采用梯形丝杆和导轨平行安装
- 自润滑，高效能，重量轻
- 可自由设计间距和长度
- 可选右旋或左旋丝杆
- 配合丝杆螺母可单独供货P260
- 配合电机参考P277
- 可选附件参考P278
- Low profile structure through lateral lead screw arrangement
- Lubrication-free, high efficiency, lightweight
- Variable pitch and length
- Lead screw arrangement can be selected either left or right
- Lead screw nuts are available separately Page 260
- Available with motor Page 277
- Available accessories Page 278

标准规格 Standard specifications



单位Unit: mm

| 产品编码 Part No. | A | Al | H | E ₁ | E ₂ | E ₃ | l | l ₂ | d ₂ | ha | sg | tk | kt | tg | f | lb | lt | d | as |
|----------------------|----|----|----|----------------|----------------|----------------|----|----------------|----------------|----|-------|-----|-----|-------|-----|-----|----|----|----|
| LMS04BB-TR12R/L-0000 | 45 | 38 | 20 | 15 | 20 | 30 | 78 | 15 | 8 | 10 | M3-7 | 6.5 | 6 | M3 | 2.2 | 5 | 20 | 13 | 11 |
| LMS04BB-TR15R/L-0000 | 58 | 45 | 30 | 19 | 25 | 35 | 89 | 17 | 12 | 15 | M3-13 | 8 | 4.5 | M5-15 | 2.8 | 6.5 | 22 | 17 | 16 |

| 产品编码 Part No. | 最大行程 Max.stroke length [mm] | 重量 Weight [kg] | 增加重量 Additional (每Per 100mm) | 丝杆 Lead screw [mm] | 最大静态载荷 Max. stat. load capacity [N] | | 极限转速 Max. RPM [1/min] | 最大进给率 Max. speed [m/min] |
|----------------------|-----------------------------------|----------------------|------------------------------------|--------------------------|--|-----------|-----------------------------|--------------------------------|
| | | | | | 轴向 Axial | 径向 Radial | | |
| LMS04BB-TR12R/L-0000 | 300 | 0.15 | 0.06 | TR8x1.5 | 100 | 200 | 1000 | 1.5 |
| | 300 | 0.15 | 0.06 | HTR8x10 | 25 | 100 | 800 | 6 |
| LMS04BB-TR15R/L-0000 | 600 | 0.4 | 0.12 | TR12x3 | 200 | 400 | 1000 | 4.5 |
| | 600 | 0.4 | 0.15 | HTR12x6 | 100 | 400 | 750 | 4.5 |
| | 600 | 0.4 | 0.15 | HTR12x25 | 50 | 200 | 300 | 7.5 |

LMS01-E直线模组 Linear modules



LMS02-E直线模组 Linear modules



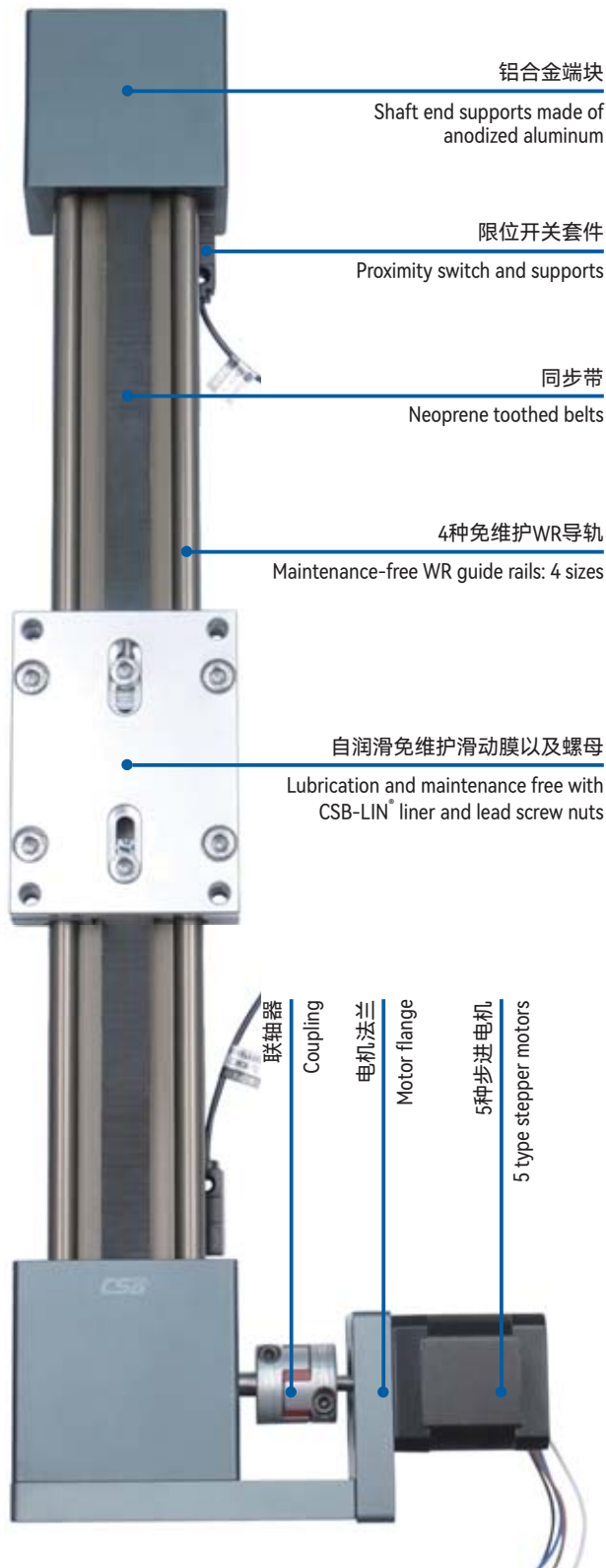
LMS

CSB-LIN®

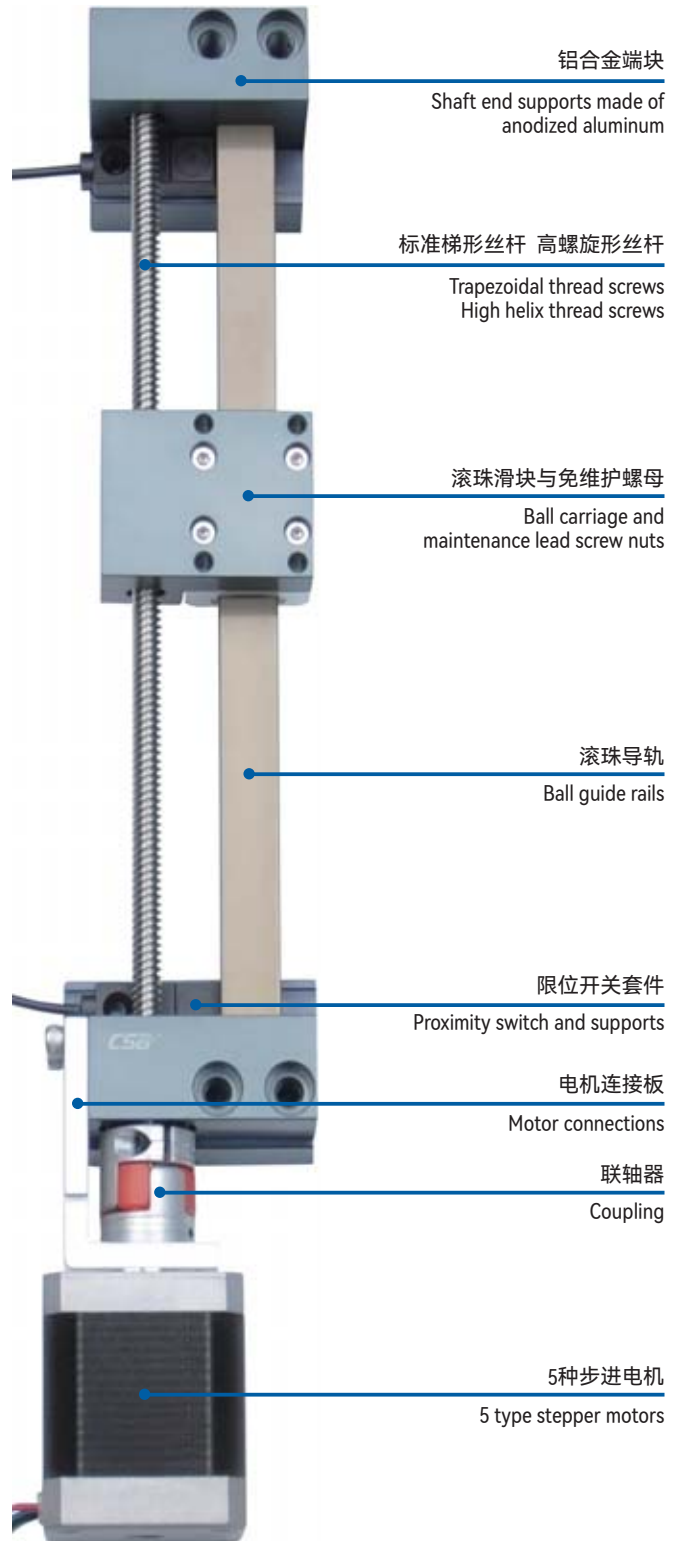
www.csb-ep.com
sales@csb-ep.com

电话: 0573 84186133/84185527
Tel: 0086 573 84187009

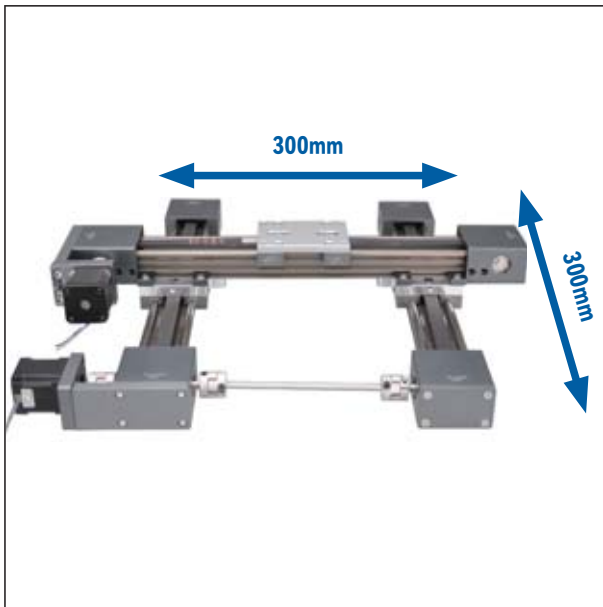
LMS03-E直线模组 Linear modules



LMS04-E直线模组 Linear modules



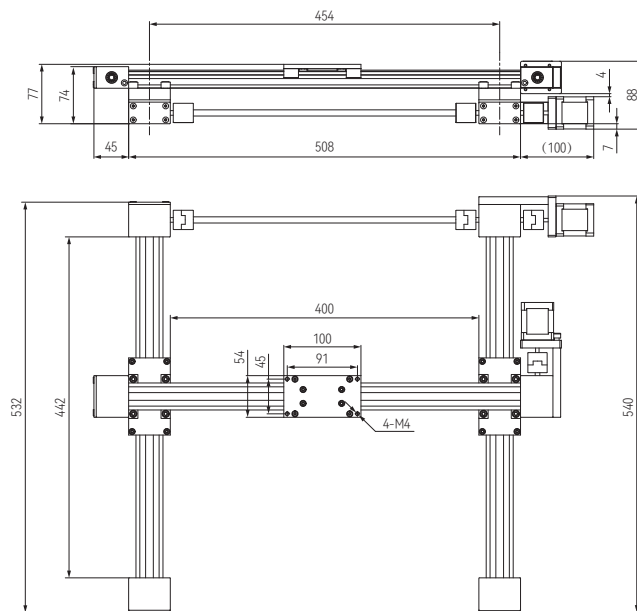
LMR02直线机器人 Linear motion robots



产品特性 Product features

- 用于高达80N的负载
 - 精确度要求达约 0.8 毫米
 - 速度高达 0.5 米/秒
 - 环境温度: 0-50°C
- For loads up to 80N
 - For precision requirements up to approx. 0.8mm
 - At speeds up to max. 0.5m/s
 - Ambient temperature: 0°C - 50°C

标准规格 Standard specifications



产品编码 Part No.:

LMR02-0630-X300-Y300

Y轴工作区域 X-axis working space

X轴工作区域 Y-axis working space

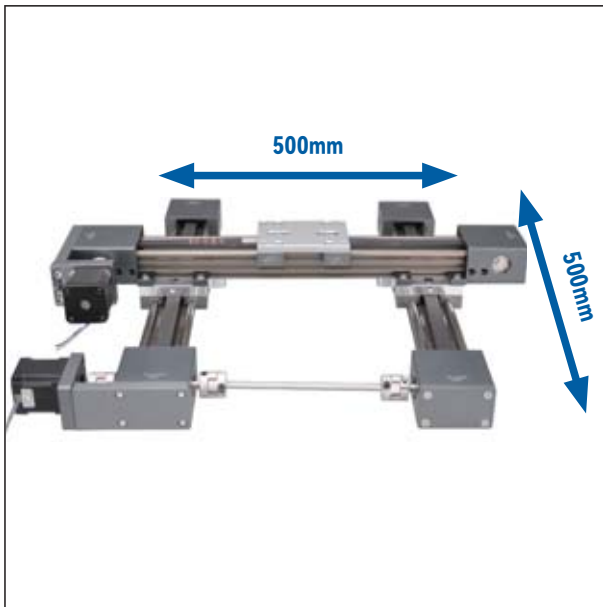
导轨 Linear guide rails

X-axis: 同步带模组 Toothed belt axis: LMS03-1040,
步进电机 NEMA17 stepper motor: MOT-ST-42

Y-axis: 同步带模组 Toothed belt axis: LMS03-1040,
步进电机 NEMA17 stepper motor: MOT-ST-42

| | |
|---------------------------------|---------------------|
| 有效工作区域 Working space: | 300x300mm |
| 最大速度 Max. speed: | 0.5m/s |
| 加速度 Max. acceleration: | 1.5m/s ² |
| 重复精度 Precision (repeatability): | 0.8mm |
| 承载重量(动态) Load capacity, dyn.: | 80N |
| 重量 Weight: | 4.2Kg |

LMR02直线机器人 Linear motion robots

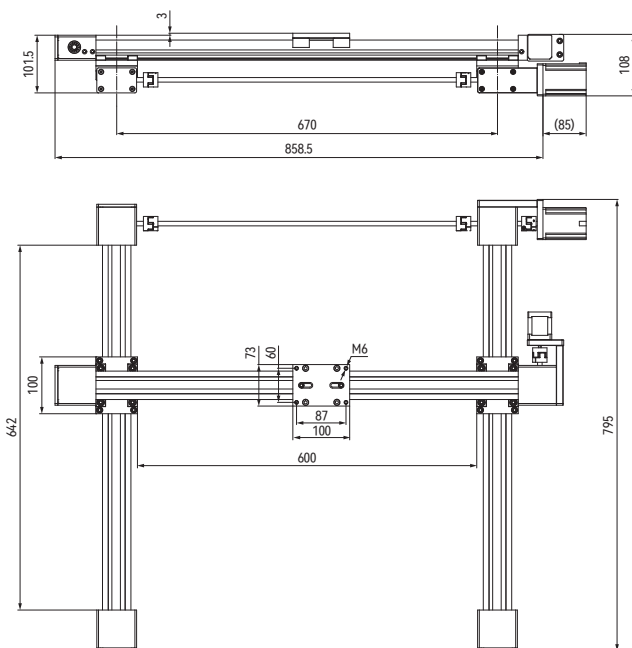


产品特性 Product features

- 用于高达 10N的负载
- 精确度要求达约 1毫米
- 速度高达 0.5 米/秒
- 环境温度: 0-50°C

- For loads up to 10N
- For precision requirements up to approx. 1mm
- At speeds up to max. 0.5m/s
- Ambient temperature: 0°C - 50°C

标准规格 Standard specifications



产品编码 Part No.:

LMR02-1040-X500-Y500

Y轴工作区域 X-axis working space

X轴工作区域 X-axis working space

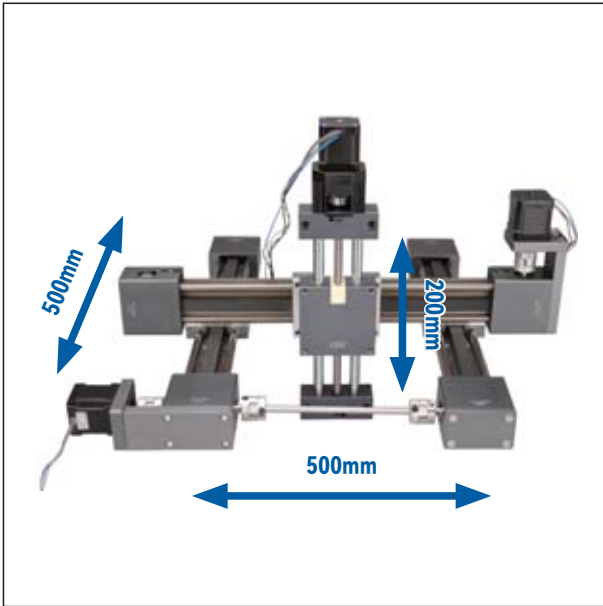
导轨 Linear guide rails

X-axis: 同步带模组 Toothed belt axis: LMS03-1040,
步进电机 NEMA17 stepper motor: MOT-ST-60

Y-axis: 同步带模组 Toothed belt axis: LMS03-1040,
步进电机 NEMA17 stepper motor: MOT-ST-42

| | |
|---------------------------------|-------------------|
| 有效工作区域 Working space: | 500x500mm |
| 最大速度 Max. speed: | 0.5m/s |
| 加速度 Max. acceleration: | 1m/s ² |
| 重复精度 Precision (repeatability): | 1mm |
| 承载重量(动态) Load capacity, dyn.: | 10N |
| 重量 Weight: | 5.2Kg |

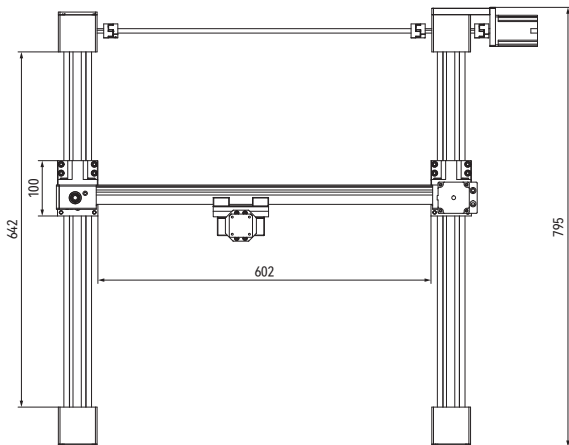
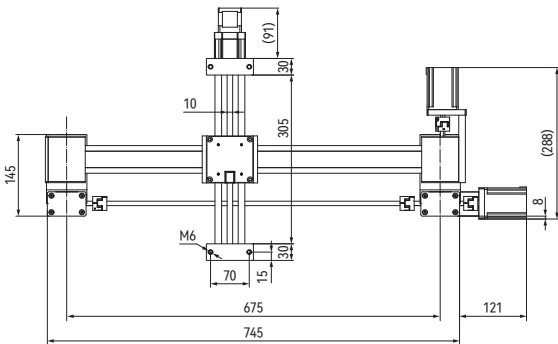
LMR03直线机器人 Linear motion robots



产品特性 Product features

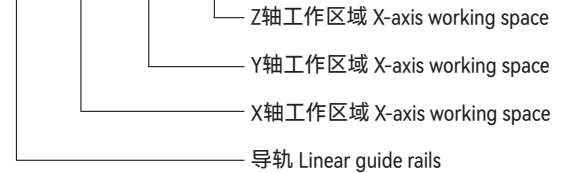
- 用于高达 100N的负载
 - 精确度要求达约 0.5 毫米
 - 速度高达 0.5 米/秒
 - 环境温度: 0-50°C
- For loads up to 100N
 - For precision requirements up to approx. 0.5mm
 - At speeds up to max. 0.5m/s
 - Ambient temperature: 0°C - 50°C

标准规格 Standard specifications



产品编码 Part No.:

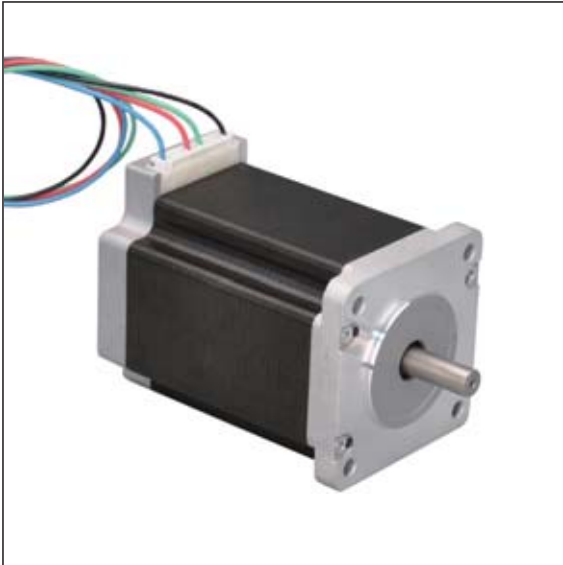
LMR03-1040-X500-Y500-Z200



- X-axis: 同步带模组 Toothed belt axis: LMS03-1040
步进电机 NEMA17 stepper motor: MOT-ST-60
- Y-axis: 同步带模组 Toothed belt axis: LMS03-1040
步进电机 NEMA17 stepper motor: MOT-ST-60
- Z-axis: 丝杆模组 Screw drive axis: LMS01BB-12-AS
步进电机 NEMA17 stepper motor: MOT-ST-42

| | |
|---------------------------------|-------------------|
| 有效工作区域 Working space: | 500x500x200mm |
| 最大速度 Max. speed: | 0.5m/s |
| 加速度 Max. acceleration: | 2m/s ² |
| 重复精度 Precision (repeatability): | 0.5mm |
| 承载重量(动态) Load capacity, dyn.: | 100N |
| 重量 Weight: | 11.6Kg |

步进电机 Stepper motors, SM01



产品特性 Product features

- SM01电机是性价比高的步进电机，这款电机的连接线直接从外壳接出，适合安装在有额外外壳或用于清洁环境中的机器设备
- SM01 motor is the most cost-effective stepper motor, this motor cable directly exit from the housing, They are suitable for installation in an extra housing or for the machine equipment in cleaning the environment

标准规格 Standard specifications

| 产品编码 Part No. | 最大电压 Max. voltage [VDC] | 额定电压 Nominal voltage [VDC] | 额定电流 Nominal current [A] | 步距角 Step angle [°] | 机座尺寸 Flange dimension [mm] | 长度 Length [mm] | 保持扭矩 Holding torque [N*m] | 转动惯量 Moment of inertia / rotor [kg*cm ²] | 载荷Load [N] 轴向 Axial | 径向 Radial | 重量 Weight [kg] |
|------------------|-------------------------------|-------------------------------------|-----------------------------------|-----------------------------|-------------------------------------|----------------------|------------------------------------|---|---------------------------|--------------|----------------------|
| SM01-11-060-001 | 60 | 24-48 | 1.6 | 1.8 | 28 | 51.0 | 0.12 | 0.02 | 7 | 20 | 0.20 |
| SM01-17-060-005 | 60 | 24-48 | 1.8 | 1.8 | 42 | 48.3 | 0.50 | 0.08 | 7 | 20 | 0.36 |
| SM01-23-060-020 | 60 | 24-48 | 2.2 | 1.8 | 56 | 76.0 | 1.80 | 0.46 | 15 | 52 | 1.00 |
| SM01-24-060-035 | 60 | 24-48 | 4.5 | 1.8 | 60 | 85.0 | 2.50 | 0.90 | 15 | 63 | 1.40 |
| SM01-34-060-059 | 60 | 24-48 | 7.0 | 1.8 | 86 | 96.0 | 5.00 | 1.85 | 65 | 200 | 2.70 |

运行数据 Operating data

| | | |
|--|----|---|
| 环境温度 Ambient temperature | °C | -10至+50 |
| 最大运行上升温度 Max temperature rise | °C | 80 |
| 绝缘等级 Insulation class | | B |
| 空气湿度（无压缩） Humidity (not condensing) | % | 85 |
| IP等级-电机外壳 Protection class engine case | | IP65（轴密封 Shaft seal IO52, 电机带绞线 Motor with stranded wires IP40） |
| CE认证 Standard | | EVM标准 EMV guideline |

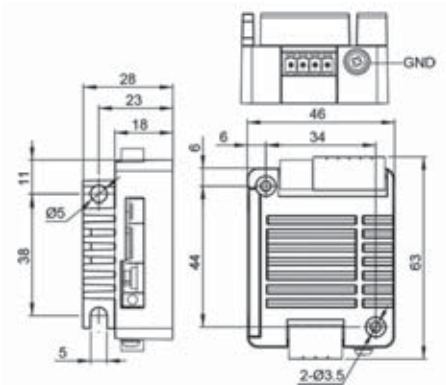
步进电机控制器 Stepper motor controllers



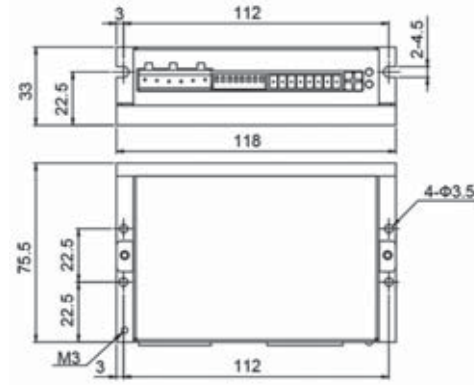
产品特性 Product features

- 步进电机驱动器是基于PID电流控制算法设计的高性价比驱动器，具有优越的性能表现，高速大力矩输出，低噪音，低振动，低发热。驱动器可通过拨码开关选择运行电流和细分，有8种细分，8种电流供选择，具有过压，欠压，相电流过流保护，其输入输出控制信号均采用光电隔离。
- Stepper motor driver is based on PID current control algorithm design, and cost-effective with superior performance, high speed and torque output, low noise and vibration. The running current can be set by DIP switch, there are 8 kinds of subdivision and current options, Protection with overvoltage, undervoltage, phase current overcurrent, The input and output control signals are used optical isolation.

标准规格 Standard specifications



SR3-mini



SR4

| 产品编码 Part No. | 电流 Output Current | 电压 Supply Voltage | 速度范围 Max.Speed | 工作环境温度 Operation temperature | 最高环境湿度 Max. ambient humidity | 重量 Weight [g] |
|------------------|----------------------|----------------------|-------------------|---------------------------------|---------------------------------|------------------|
| SR3-mini | 0.4-3.0A | 12-48VDC | 3000 | 0 - 40°C | 90% | 120 |
| SR4 | 1.0-4.5A | 24-48VDC | 3000 | 0 - 40°C | 90% | 310 |

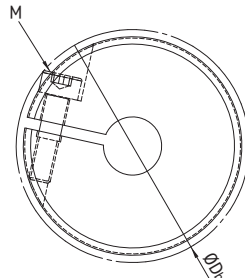
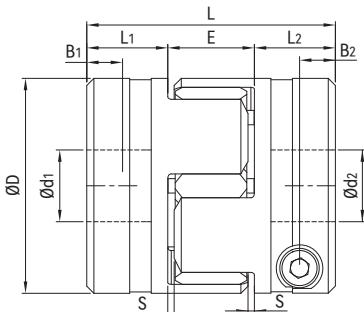
联轴器 Flexible jaw couplings, COU01



产品特性 Product features

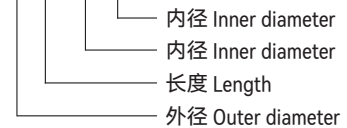
- 联轴器将轴的驱动轴连接到电机，中间弹性聚合物承受电机转动扭矩，该阻尼元件补偿径向和轴向间隙
- 标准品常备库存
- 振动阻尼，易于安装
- The coupling connects the drive shaft of the axis to the Motor, An elastic polymer insert in the centre of the coupling transfers the motor torque, This damping element compensates for radial and axial clearance.
- Standard versions from stock
- Vibration dampening and easy fitting

标准规格 Standard specifications



产品编码 Part No.:

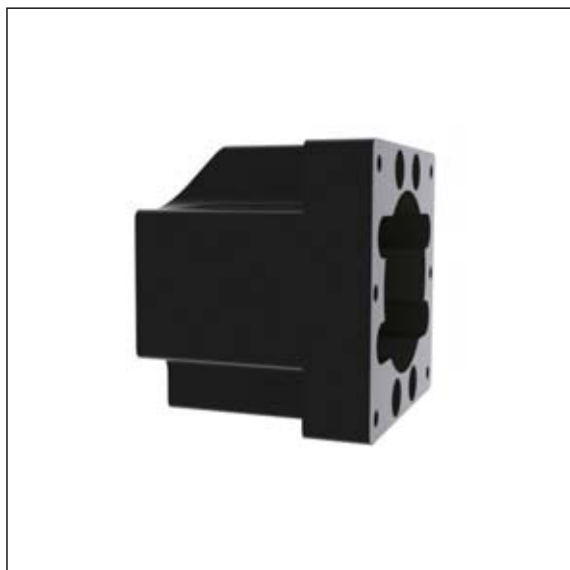
COU01-1418-d1d2



| 产品编码 Part No. | d ₁ /d ₂ (H7) | | D | D _b | L | L ₁ /L ₂ | E | S | B ₁ /B ₂ | M (ISO 4762) | 扭矩 Tightening torque [Nm] | 最高转速 Max. speed [rpm] | 重量 Weight [kg] |
|------------------|-------------------------------------|------|----|----------------|----|--------------------------------|----|-----|--------------------------------|-----------------|---------------------------------|--------------------------|----------------------|
| | Min. | Max. | | | | | | | | | | | |
| COU01-1418-d1d2 | 3 | 7 | 14 | 16.7 | 18 | 7.0 | 8 | 1.0 | 2.5 | M2 | 0.8 | 20,000 | 0.006 |
| COU01-2024-d1d2 | 4 | 10 | 20 | 21.4 | 24 | 7.0 | 10 | 1.0 | 3.5 | M2.5 | 1.2 | 15,000 | 0.016 |
| COU01-2525-d1d2 | 4 | 12 | 25 | 26.3 | 25 | 7.0 | 11 | 1.0 | 3.5 | M3 | 2.0 | 15,000 | 0.027 |
| COU01-3032-d1d2 | 5 | 12 | 30 | 31.8 | 32 | 9.5 | 13 | 1.5 | 4.5 | M4 | 2.9 | 12,700 | 0.041 |
| COU01-4050-d1d2 | 8 | 20 | 40 | 45.8 | 50 | 17.0 | 16 | 2.0 | 9.0 | M6 | 10.0 | 9,500 | 0.120 |
| COU01-5554-d1d2 | 10 | 32 | 55 | 57.6 | 54 | 18.0 | 18 | 2.0 | 11.0 | M6 | 10.0 | 6,900 | 0.240 |

| 产品编码 Part No. | 标准孔径d ₁ /d ₂ 和最大扭矩值 Standard bore diameter d ₁ /d ₂ [mm] and friction torques for hub [Nm] | | | | | | | | | | | | | | | | | | | | | | | | | | |
|------------------|--|-----|-----|-----|------|-----|-----|-----|-----|-----|-----|----|----|----|----|----|----|----|----|----|----|----|----|----|----|----|----|
| | 3 | 4 | 5 | 6 | 6.35 | 7 | 8 | 10 | 11 | 12 | 14 | 15 | 16 | 18 | 19 | 20 | 22 | 24 | 25 | 28 | 30 | 32 | 33 | 38 | 40 | 42 | 45 |
| COU01-1418-d1d2 | 0.8 | 0.9 | 1.0 | 1.0 | 1.0 | 1.1 | | | | | | | | | | | | | | | | | | | | | |
| COU01-2024-d1d2 | | 1.9 | 2.0 | 2.2 | 2.2 | 2.3 | 2.4 | 2.5 | | | | | | | | | | | | | | | | | | | |
| COU01-2525-d1d2 | | | 3.4 | 3.6 | 3.7 | 3.7 | 3.9 | 4.1 | 4.4 | 4.6 | 4.7 | | | | | | | | | | | | | | | | |
| COU01-3032-d1d2 | | | | 7.1 | 7.4 | 7.4 | 7.7 | 8.0 | 8.5 | 5.4 | 5.8 | | | | | | | | | | | | | | | | |
| COU01-4050-d1d2 | | | | | | | | | | 24 | 25 | 26 | 27 | 28 | 29 | 30 | 31 | 32 | 33 | | | | | | | | |
| COU01-5554-d1d2 | | | | | | | | | | | 21 | 25 | 25 | 30 | 32 | 34 | 38 | 40 | 42 | 45 | 51 | 53 | 59 | 63 | 68 | | |

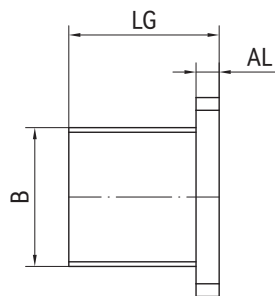
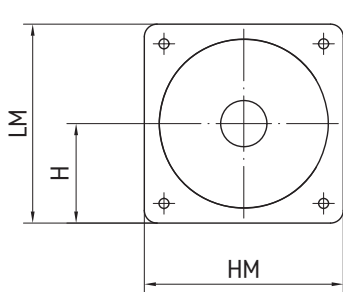
电机法兰 Motor flange



产品特性 Product features

- 电机法兰用于封闭并保护联轴器，并为NEMA电机提供匹配的安装尺寸
- The motor flange encloses and protects the coupling and provides the matching mounting dimensions for your NEMA motor

标准规格 Standard specifications



产品编码 Part No.:

MF-2040-NEMA17

步进电机 Stepper motors

连接尺寸 Connection size

连接尺寸 Connection size

| 产品编码 Part No. | LG [mm] | AL [mm] | HM [mm] | LM [mm] | B [mm] | HA [mm] |
|-------------------|------------|------------|------------|------------|-----------|------------|
| MF-2040-NEMA17 | 47 | 12 | 56 | 56 | 56 | 28 |
| MF-2040-NEMA23-S | 48 | 13 | 56 | 56 | 56 | 28 |
| MF-3648-NEMA23 | 56 | 13 | 56 | 56 | 56 | 28 |
| MF-3648-NEMA34 | 65 | 10 | 86 | 86 | 46 | 43 |
| MF-3648-NEMA34-XL | 76 | 10 | 86 | 86 | 56 | 43 |

限位开关 Proximity switches

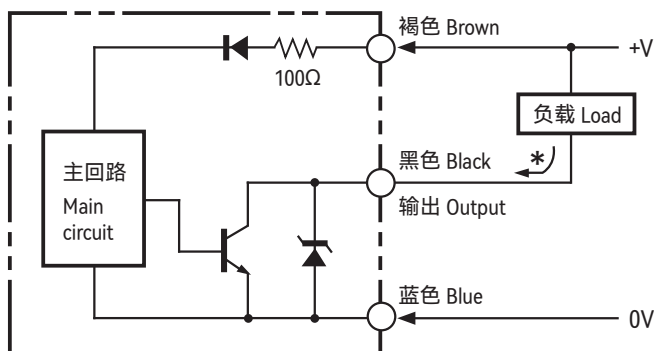


产品特性 Product features

- 限位开关结构紧凑、易安装
- 塑料外壳设计使得限位开关可作为限位、定位或参考点开关使用
- 重量轻，长寿命
- The compact and easy assembly of the proximity switches
- The plastic housing design makes the proximity switches, which can be used as limit, position or reference switches
- Light and longer life

限位开关参数 Proximity switches data

| 限位开关 Proximity switches | 单位 Unit | TL-W3MC1 |
|-----------------------------|---------|-----------|
| 工作电压 Operating voltage | [VDC] | 10...30 |
| 最大促发电流 Max. trigger current | [mA] | 100 |
| 环境温度 Ambient temperature | [°C] | -25...+70 |
| 触发距离 Trigger distance | [mm] | 3.0 |
| 防护级别 Protection class | | IP67 |
| 连接器 Connectors | | M3 |



* 最大电流负载100mA
Max. current load 100mA

TL-W3MC1

